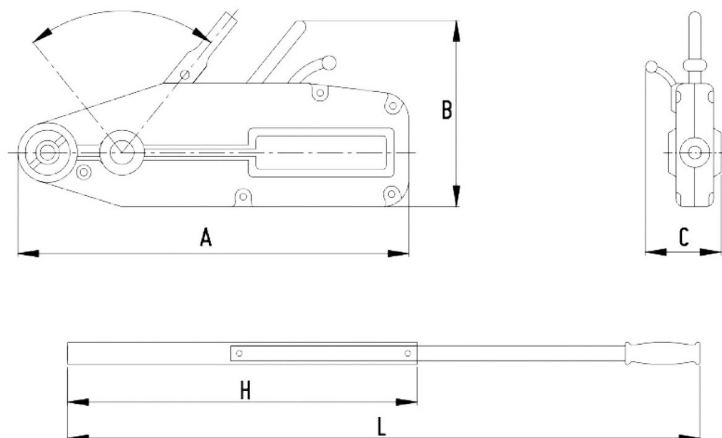


Wire Rope Puller

The **Wire Rope Puller** can be used to pull or drag horizontally or lift vertically. Suitable for outdoor use in construction and industrial areas.



Product Code	Lift Capacity	Pull Capacity	Wire Rope Ø	A	B	C	H	L	Net Weight
	<i>lbs.</i>	<i>lbs.</i>	<i>mm</i>	<i>inches</i>	<i>inches</i>	<i>inches</i>	<i>inches</i>	<i>inches</i>	<i>lbs.</i>
WRP-17	1,700	2,600	8.3	16.77	9.37	2.52	3.15	3.15	14.11
WRP-35	3,500	5,200	11	21.46	11.18	3.82	3.15	4.72	26.44



- Complies with ASME B30.21
- Aluminum Assembly
- Ratchet Breaking System
- 98' Wire Rope Supplied