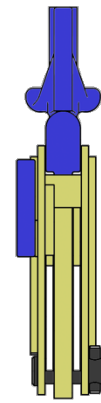
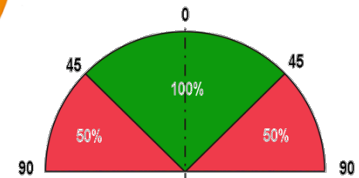
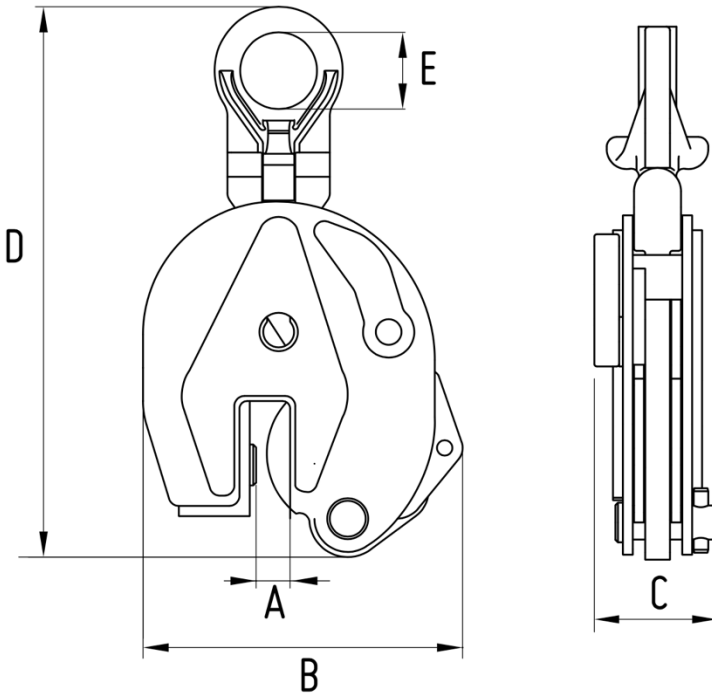




UNIVERSAL PLATE CLAMPS

Key Specifications:

- SIZES BETWEEN 1 – 5 TON
- MEETS ASME B30.20
- FOR LIFTING METAL PLATES
- LATCHING LOCK WITH LEVER RELEASE
- PIVOTING TOP SHACKLE



Safe Working Load

Product Code	Tons	Jaw Opening	A	B	C	D	E	Weight
UPG-1	1	0 – 0.78"	0.78"	5.7"	2.48"	12"	1.85"	11 lbs.
UPG-2	2	0 – 0.98"	0.98"	6.89"	2.67"	14.76"	2.52"	17.6 lbs.
UPG-3	3	0 – 1.18"	1.18"	9.05"	3.54"	17.71"	2.73"	33 lbs.
UPG-5	5	0 – 1.96"	1.96"	9.84"	4.33"	19.68"	3"	50.7 lbs.